

✓ YOUR CART IS READY!

PLEASE READ THE SAFETY INFORMATION AND OPERATING INSTRUCTIONS IN YOUR MANUAL BEFORE OPERATING.

WHEN ATTACHING OR DETACHING THE GRILL UNIT FROM THE CART UNIT, CARE MUST BE TAKEN TO AVOID PINCHING HANDS OR FINGERS BETWEEN THE GRILL AND THE CART.

THE GRILL MUST NOT BE EITHER REMOVED FROM THE CART OR ATTACHED TO THE CART WHILE OPERATING, OR WHILE STILL HOT. WHEN THE GRILL IS DETACHED FROM THE CART AND IN USE, IT MUST BE PLACED ON A NONCOMBUSTIBLE SURFACE WHILE BEING OPERATED, SUCH AS CONCRETE, METAL, GRAVEL, BARE GROUND, OR ON A THERMAL BARRIER DESIGNED FOR SUCH USE.

THE CART UNIT MAY ALSO BECOME HOT DURING OPERATION, SO CARE MUST BE TAKEN WHEN TOUCHING PARTS OF THE CART TO AVOID BURNS OR OTHER INJURIES.



HAVE QUESTIONS?

The new grill owners guide is your one-stop-shop for everything from initial fire-up to general operating tips and troubleshooting. For support questions feel free to check out our support page.



NEW GRILL OWNERS
greenmountaingrills.com/new-grill-owners/

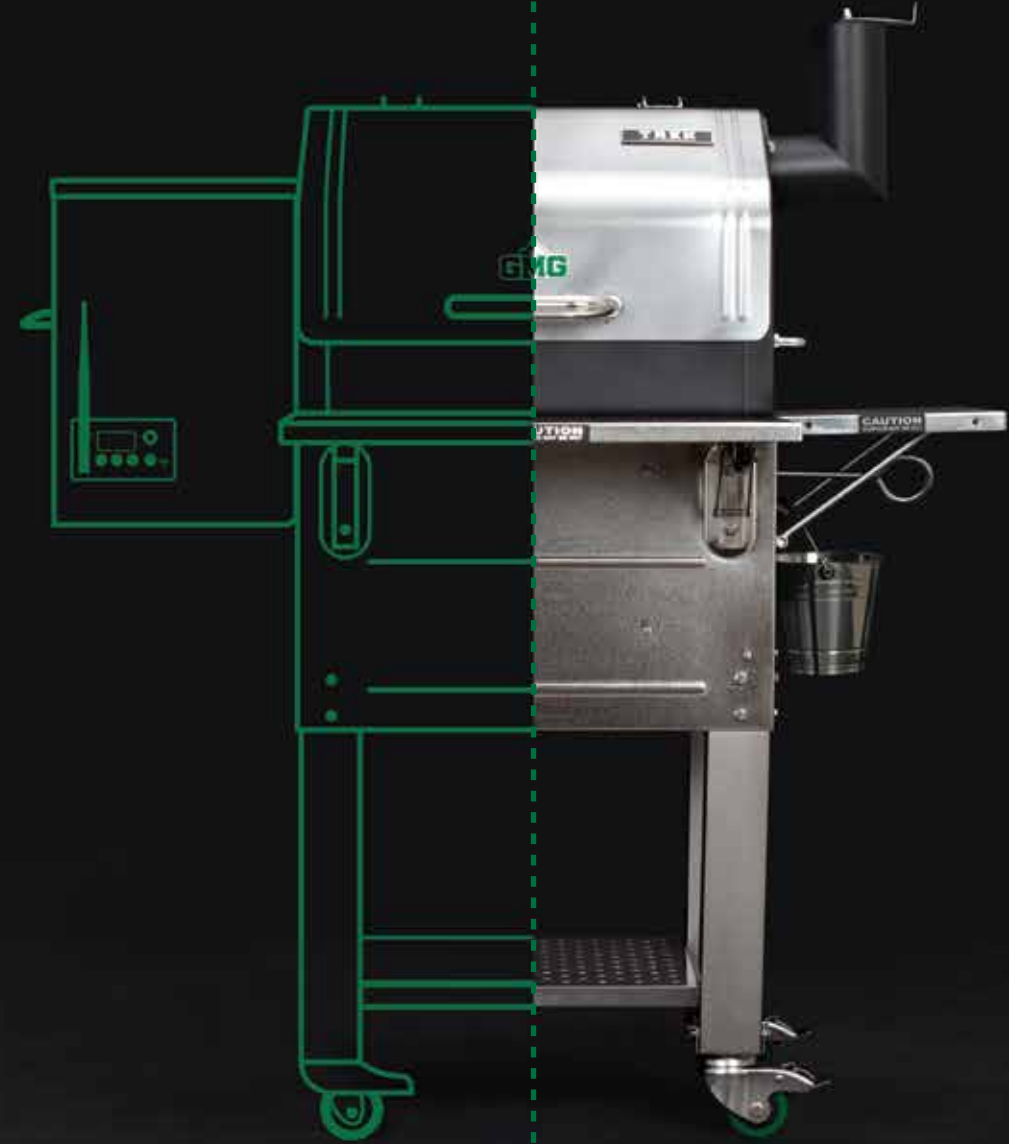


GMG SUPPORT
greenmountaingrills.com/support/



TREK CART

PRIME
ASSEMBLY GUIDE



EASY STEP-BY-STEP VIDEO ASSEMBLY

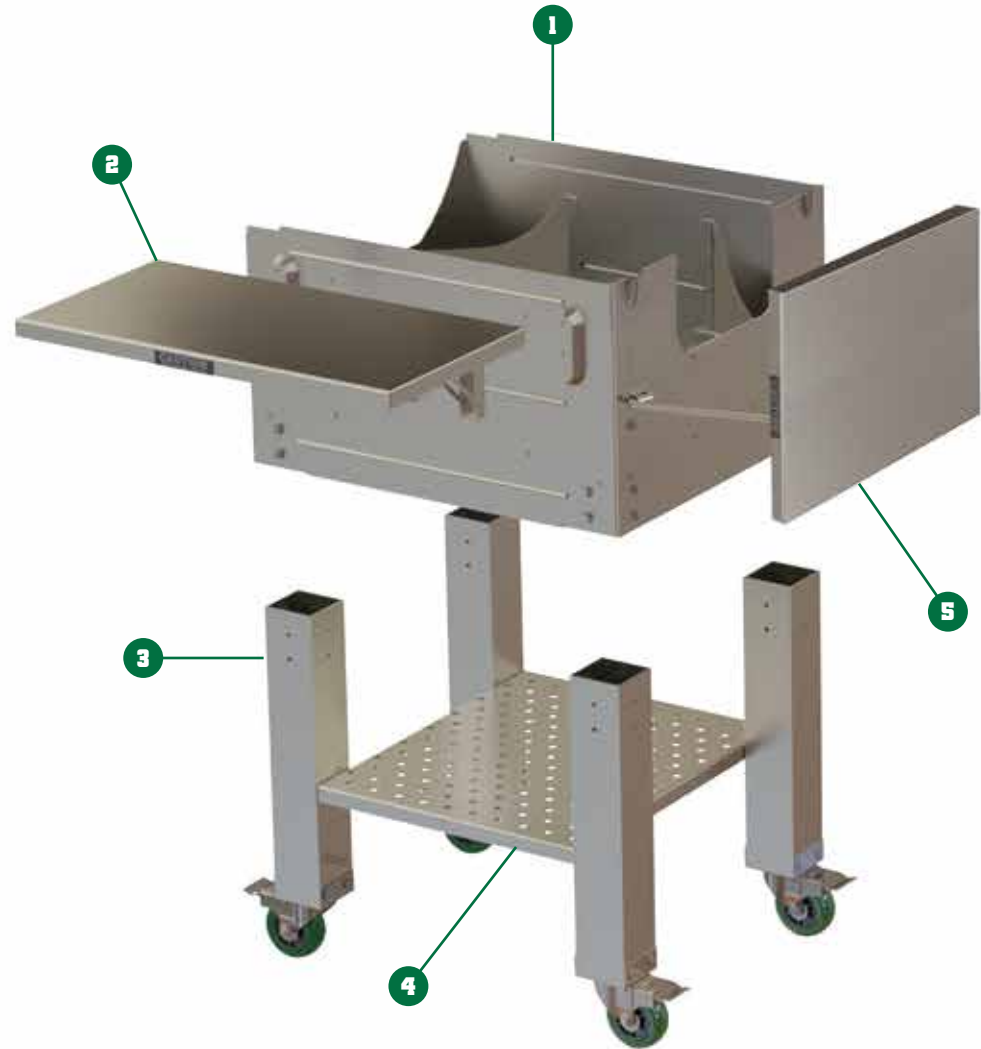
SCAN THE QR CODE WITH YOUR PHONE OR GO TO:
[GREENMOUNTAINGRILLS.COM/GRILL-ASSEMBLY](https://greenmountaingrills.com/grill-assembly)



PLEASE READ AND FOLLOW ALL ASSEMBLY INSTRUCTIONS, SAFETY INFORMATION, AND OPERATING INSTRUCTIONS OF YOUR OWNER'S MANUAL BEFORE INITIAL START UP.



GRILL PARTS LIST



PART	DESCRIPTION
1	CART Body
2	Front Shelf
3	Locking Caster Legs
4	Bottom Shelf
5	Side Shelf



Grill Assembly Bolt M6x20mm



ASSEMBLY

PLEASE READ AND FOLLOW ALL INSTRUCTIONS CAREFULLY

CAUTION! The grill is heavy. Be careful when lifting.

1 UNBOXING



Open and remove parts.

2 FLIP BASE UPSIDE DOWN



Flip base to access leg slots.

3 INSTALL LEGS



Install legs as shown.
x4 per leg.

4 FRONT SHELF



Flip cart right side up and attach front shelf hinges to base.
x4

5 INSERT GRILL



Align grill legs with base leg slots.

6 SIDE SHELF



Flip side shelf up and slide into base slots to secure in place.

7 SECURE GRILL



Secure base to grill.
x4

8 GREASE BUCKET



Hang grease bucket on drip spout.

9 BOTTOM SHELF



Slide shelf down to sit on shelf arm bolts. Align with grooves under shelf.



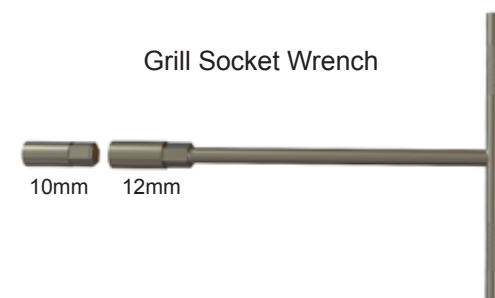
TREK PRE-ASSEMBLED

Follow instructions in TREK Assembly Guide.

Grill sold separately



GMG TOOL NEEDED



Grill Socket Wrench

10mm 12mm